

English

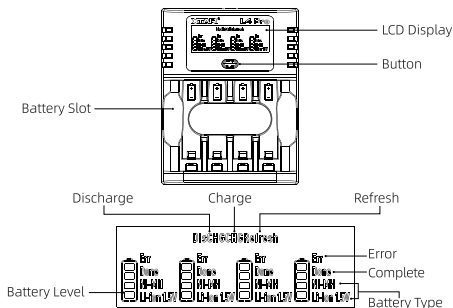
English-L4 Pro

1.2V Ni-MH & 1.5V Li-ion Smart Battery Charger

Introduction

L4 Pro is a smart four-slot charger for AA/AAA 1.2V Ni-MH and 1.5V Li-ion batteries. Multi-stage refresh, precision charging, and micro-current activation eliminate overheating, incomplete charging, short battery life, and aging issues. Smart recognition and an HD display make operation intuitive—perfect for home and professional users.

Product Diagram



Specifications

Model	L4 Pro	
Input	Type-C 5V → 2A	
Compatible Batteries	<b>1.5V Li-ion</b> AAA/AA	<b>1.2V Ni-MH</b> AAA/AA
Constant Charging Current	0.5Ax1 / 0.5Ax4	
Charging Cutoff Voltage	N/A	1.45±0.1V
Charging Cutoff Current	≤100mA	N/A
Operating Temp.	0-40°C	

Operation Instructions

I. Battery Recognition/Activation

When a battery is inserted on any function screen, the battery type icon blinks to indicate detection and activation in progress. Once completed, the icon stays on. \*1.2V Ni-MH battery recognition/activation takes approximately ten minutes.

II. Button Functions

Press to light up the backlight. Press and hold to cycle through **CHG** → **DisCHG** → **Refresh**. \*If inactive for 1 minute on any function screen, the device enters power-saving mode, dimming the backlight to 10%. The backlight restores when a battery is inserted/removed or a button is pressed. Once restored, pressing the button has no effect.

III. Charging Function

When powered on, the charger defaults to **CHG**. Inserting a battery starts charging automatically.

IV. **DisCHG** - Quick Refresh (Ni-MH only)

In standby mode, press and hold the button to switch to **DisCHG**. Insert the battery, and the charger will start the discharge-charge cycle. Once completed, **Done** will be displayed. This function discharges residual power, eliminates memory effect, increases single-charge capacity, and extends battery life.

V. **Refresh** - Smart Deep Refresh (Ni-MH only)

In standby mode, press and hold the button to switch to **Refresh**. Insert a battery, and the charger will automatically run multiple discharge-charge cycles until the process completes, displaying **Done**. This function revitalizes old batteries and deeply restores effective capacity.

\*The number of discharge-charge cycles varies by battery condition, with a maximum of 4 cycles.

VI. Battery Level Indication

Charging: Battery level bars flash upward.  
Discharging: Battery level bars flash downward.  
Full charge/refresh complete: 4 battery level bars remain solid.

**Note: The refresh function is for 1.2V Ni-MH batteries only. 1.5V Li-ion batteries will follow a normal charging process until fully charged.**

After-Sales Service

- To receive after-sales service for the product, please provide the Warranty Number and an invoice(or receipt).
- 15-day free exchange.**
- 12-month free repair.** This product includes a 24-month free repair service, starting from the day of purchase. For repairs outside of the warranty period, you will need to pay the costs of materials and shipping.
- Lifetime technical support.**

Note:

- Malfunctions due to improper use or storage, or failure to observe these operating instructions, will not be covered by XTAR.
- If you have any after-sales questions, please contact XTAR official Customer Support at [service@xtar.cc](mailto:service@xtar.cc).

Authenticity Check

- Gently scratch to reveal the 18-digit serial number on the back of the product or its packaging.
- Go to [www.xtar.cc](http://www.xtar.cc) and enter the serial number to authenticate (Contact Us - Anti-Fake).

Safety Information

- When the power voltage is insufficient, the charger will correspondingly reduce the charging current.
- Do not use non-compatible batteries to avoid damaging the batteries and the charger.
- Do not use the charger in direct sunlight, humid (rainy), or dusty environments.
- Do not disassemble or modify the charger, and do not use it if it is damaged.
- Minors must use the charger under adult supervision.
- For more info, please visit [www.xtar.cc](http://www.xtar.cc).